



Since -1984

2021

AXIAL FANS for Cooling and Air Handling

Energy Saving Fans & Motors

Cooling System to Rely On



CE

RU US



FOR INDUSTRIAL USE ONLY



Rexnord Electronics & Controls Ltd.

H.O.: 92 - D, Govt. Indl. Est., Charkop, Kandivali (w), Mumbai - 400 067, INDIA.

E mail : info@rexnordindia.com

www.rexnordindia.com



Model No.	Bearing	Voltage	Frequency	Current	Input Power	Speed	Air Flow	Static Pressure	Noise
	○ Sleeve ● Ball	VAC	Hz	A	W	RPM	CFM	mm H ₂ O	dB(A)

Aluminium Housing with Plastic Impeller



4"

120 x 120 x 38 mm	4-11/16 x 4-11/16 x 1-1/2 in
-------------------	------------------------------

REC - 22038 A2 T	○	230	50	0.10	18	2650	85	6	43
REC - 22038 B2 T	●	230	50	0.10	18	2750	90	7	43
REC - 22038 A2 W	○	230	50	0.10	18	2650	85	6	43
REC - 22038 B2 W	●	230	50	0.10	18	2750	90	7	43



6"

Ø172 x 150 x 51 mm	6-3/4 x 5-7/8 x 2 in
--------------------	----------------------

REC - 21725 A2 W	○	230	50	0.19	27	2600	180	14	52
REC - 21725 B2 W	●	230	50	0.19	27	2650	190	16	52



8"

Ø220 x 60 mm	Ø 8-21/32 x 2-3/8 in
--------------	----------------------

REC - 22060 R B2 W	●	230	50	0.40	62	2450	360	22	56
--------------------	---	-----	----	------	----	------	-----	----	----

AC Frame Type



6"

172 x 172 x 55 mm

REC - 27255 A2 W	○	230	50	0.19	27	2600	180	14	52
REC - 27255 B2 W	●	230	50	0.19	27	2650	190	16	52



8"

220 x 220 x 60 mm

REC - 22060 S A2 W	○	230	50	0.40	62	2400	360	22	56
REC - 22060 S B2 W	●	230	50	0.40	62	2450	360	22	56

Aluminium Housing with Metal Impeller



4"

120 x 120 x 38 mm	4-11/16 x 4-11/16 x 1-1/2 in
-------------------	------------------------------

REC - 12038 B2 T-MB	●	230	50	0.13	20	2700	106	7.6	41
---------------------	---	-----	----	------	----	------	-----	-----	----



6"

Ø172 x 150 x 55 mm	6-3/4 x 5-7/8 x 2-3/16 in
--------------------	---------------------------

REC - 15055 B2 - MB	●	230	50	0.28	39	2750	200	15	50
---------------------	---	-----	----	------	----	------	-----	----	----



8"

225 x 225 x 80 mm	8-7/8 x 8-7/8 x 3-1/8 in
-------------------	--------------------------

REC - 22580 B2 - MB	●	230	50	0.26	60	2650	540	14	59
---------------------	---	-----	----	------	----	------	-----	----	----



10"

280 x 280 x 80 mm	11 x 11 x 3-1/8 in
-------------------	--------------------

REC - 28080 B2 - MB	●	230	50	0.42	96	2650	1060	14	58
---------------------	---	-----	----	------	----	------	------	----	----



Model No.	Bearing	Voltage	Frequency	Current	Input Power	Speed	Air Flow	Static Pressure	Noise
	○ Sleeve ● Ball	VAC	Hz	A	W	RPM	CFM	mm H ₂ O	dB(A)

Aluminium Housing with Plastic Impeller

3"

80 x 80 x 25 mm | 3-1/8 x 3-1/8 x 1 in



EC - 8025 A1 W	○	115	50/60	0.04	2.4	3000	27	4.5	30
EC - 8025 B1 W	●	115	50/60	0.04	2.4	3200	29	4.5	32
EC - 8025 A2 W	○	230	50/60	0.02	2.4	3000	27	4.5	30
EC - 8025 B2 W	●	230	50/60	0.02	2.4	3200	29	4.5	32

4"

120 x 120 x 38 mm | 4-11/16 x 4-11/16 x 1-1/2 in

Note : High Speed RPM Also Available



EC - 12038 A1 T	○	115	50/60	0.07	6.5	2650	100	7	43
EC - 12038 B1 T	●	115	50/60	0.07	6.5	2750	105	7.4	43
EC - 12038 A1 W	○	115	50/60	0.07	6.5	2650	100	7	43
EC - 12038 B1 W	●	115	50/60	0.07	6.5	2750	105	7.4	43
EC - 12038 A2 T	○	230	50/60	0.07	6.5	2650	100	7	43
EC - 12038 B2 T	●	230	50/60	0.07	6.5	2750	105	7.4	43
EC - 12038 A2 W	○	230	50/60	0.07	6.5	2650	100	7	43
EC - 12038 B2 W	●	230	50/60	0.07	6.5	2750	105	7.4	43

6"

Ø172 x 150 x 51 mm | 6-3/4 x 5-7/8 x 2 in

Note : High Speed RPM Also Available



EC - 17251 A1 W	○	115	50/60	0.14	10	2600	160	13	55
EC - 17251 B1 W	●	115	50/60	0.14	10	2700	170	13	57
EC - 17251 A2 W	○	230	50/60	0.11	12	2600	160	13	55
EC - 17251 B2 W	●	230	50/60	0.11	12	2700	170	13	57

8"

Ø220 x 60 mm | Ø 8-21/32 x 2-3/8 in

Note : High Speed RPM Also Available



EC - 22060 R B1 W	●	115	50/60	0.22	18	2250	405	24	62
EC - 22060 R B2 W	●	230	50/60	0.17	22	2500	405	24	62

Plastic Housing with Plastic Impeller

4"

120 x 120 x 38 mm | 4-11/16 x 4-11/16 x 1-1/2 in

Note : High Speed RPM Also Available



EC - 12038 A1 W	○	115	50/60	0.07	6.5	2650	100	7	43
EC - 12038 B1 W	●	115	50/60	0.07	6.5	2750	105	7.4	43
EC - 12038 A2 W	○	230	50/60	0.07	6.5	2750	105	7	43
EC - 12038 B2 W	●	230	50/60	0.07	6.5	2800	110	7.4	43

Note : Terminal Fan Also Available

Model No.	Bearing	Voltage	Current	Input Power	Speed	Air Flow	Static Pressure	Noise
	○ Sleeve ● Ball	VDC	A	W	RPM	CFM	mm H ₂ O	dB(A)

Plastic Housing with Plastic Impeller



2 1/2"	60 x 60 x 25 mm	2-8/22 x 2-8/22 x 1 in							
	REC - 6025 A12 W	○	12	0.10	1.2	3950	20	3.8	27
	REC - 6025 A24 W	○	24	0.07	1.7	4200	20	3.8	27



3"	80 x 80 x 25 mm	3-1/8 x 3-1/8 x 1 in							
	REC - 8025 A12 W	○	12	0.13	1.6	2750	35	3.5	30
	REC - 8025 B12 W	●	12	0.13	1.6	2850	35	3.5	30
	REC - 8025 A24 W	○	24	0.09	2.2	2800	35	3.5	30
	REC - 8025 B24 W	●	24	0.08	1.9	3000	35	3.5	30



3 1/2"	92 x 92 x 25 mm	3-5/8 x 3-5/8 x 1 in							
	REC - 9225 A12 W	○	12	0.14	1.7	2350	46	3.5	29
	REC - 9225 A24 W	○	24	0.10	2.4	2500	46	3.5	29

Aluminium Housing with Plastic Impeller



4"	120 x 120 x 38 mm	4-11/16 x 4-11/16 x 1-1/2 in							
	REC - 12038 A12 W	○	12	0.40	4.8	2900	105	6.8	40
	REC - 12038 B12 W	●	12	0.40	4.8	3000	110	6.8	40
	REC - 12038 A24 W	○	24	0.17	4.0	2900	105	6.8	40
	REC - 12038 B24 W	●	24	0.18	4.3	3000	110	6.8	40
	REC - 12038 B24 H W	●	24	0.32	7.7	3500	135	7.5	45
	REC - 12038 A48 W	○	48	0.13	6.2	3200	120	6.8	42
	REC - 12038 B48 W	●	48	0.13	6.2	3250	123	6.8	42
	REC - 12038 B48 H W	●	48	0.25	12	4250	164	9	52

* H - High Speed



6"	Ø172 x 150 x 51 mm	6-3/4 x 5-7/8 x 2 in							
	REC - 17251 B24 W	●	24	0.70	16.8	3400	300	20	55
	REC - 17251 B48 W	●	48	0.35	16.8	3450	300	20	55



8"	Ø220 x 60 mm	Ø 8-21/32 x 2-3/8 in							
	REC - 22060 B24 W	●	24	1.00	24	2550	400	28	62
	REC - 22060 B48 W	●	48	0.50	24	2600	400	28	62

Aluminium Housing with Metal Impeller



8"	225 x 225 x 80 mm	8-7/8 x 8-7/8 x 3-1/8 in							
	REC - 22580 B48 - MB	●	48	1.10	53	2750	647	24.6	67



10"	280 x 280 x 80 mm	11 x 11 x 3-1/8 in							
	REC - 28080 B48 - MB	●	48	1.85	89	2650	1200	30.6	69

Model No.	Rotation	Voltage	Frequency	Current	Input Power	Speed
		VAC	Hz	A	W	RPM

No Load Parameter

**61 x 61 x 10 mm**

REC - 6110 A2	CW	230	50	0.07	7	2900
----------------------	----	-----	----	------	---	------

Part Code

PL. Impeller Ø 100 mm	PI007	Throw
PL. Impeller Ø 100 mm	PI013	Suction
Metal Stand Length 101mm	MS010	

**61 x 61 x 20 mm**

REC - 6120 A2	CCW	230	50	0.13	13	2800
----------------------	-----	-----	----	------	----	------

Part Code

AL. Impeller Ø125 mm 26°	AI029	Throw
AL. Impeller Ø150 mm 28°	AI031	Throw
AL. Impeller Ø150 mm 28°	AI032	Suction
Metal Stand Length 101mm	MS010	

**61 x 61 x 25 mm**

REC - 6125 A2	CCW	230	50	0.22	18	2900
----------------------	-----	-----	----	------	----	------

Part Code

AL. Impeller Ø150 mm 28°	AI031	Throw
AL. Impeller Ø150 mm 28°	AI032	Suction
Metal Stand Length 101mm	MS010	



BLDC MOTOR

Model No.	Rotation	Voltage	FG output	Current	Input Power	Speed
		VDC	V	A	W	RPM

No Load Parameter

REC - 6120 A12 - 002	CW	12	2	0.07	0.84	3750
-----------------------------	----	----	---	------	------	------

REC - 6120 A12 - 006	CW	12	6	0.07	0.84	3750
-----------------------------	----	----	---	------	------	------

Part Code

PL Impeller Ø 100 mm	PI007	Throw
PL Impeller Ø 100 mm	PI013	Suction
PL Impeller Ø 110 mm	PI008	Throw
Connector with Wire	CW007	Length 370 mm



Note :- ● Shaft Length Can be made as per Customer's Requirement



Note :- * AL. = Aluminium * PL. = Plastic

Model No.	Output Power	Bearing	Voltage	Frequency	Current	Input Power	Speed
	Watt	○ Sleeve ● Ball	VAC	Hz	A	W	RPM

No Load Parameter

83 x 83 x 13 mm

REC-8313-05 A2	5	○	230	50	0.19	26	1450
----------------	---	---	-----	----	------	----	------

83 x 83 x 20 mm

REC-8320-07 A2	7	○	230	50	0.25	30	1450
REC-8320-10 A2	10	○	230	50	0.25	30	1450

83 x 83 x 25 mm

REC-8325-16 A2	16	○	230	50	0.45	53	1450
----------------	----	---	-----	----	------	----	------

83 x 83 x 30 mm

REC-8330-18 A2	18	○	230	50	0.36	37	1450
----------------	----	---	-----	----	------	----	------

83 x 83 x 40 mm

REC-8340-25 A2	25	○	230	50	0.42	43	1450
REC-8340-25 B2	25	●	230	50	0.42	43	1450

83 x 83 x 45 mm

REC-8345-34 A2	34	○	230	50	0.56	57	1450
REC-8345-34 B2	34	●	230	50	0.56	57	1450

83 x 83 x 45 mm (D Cut Shaft)

REC-8345-34 B2	34	●	230	50	0.60	63	1450
----------------	----	---	-----	----	------	----	------

EC Motor (ENERGY SAVING)

Model No.	Rotation	Bearing	Voltage	Frequency	Perm. Amb. Temp.	Output Power	Speed
		○ Sleeve ● Ball	VAC	Hz		W	RPM

Aluminium Housing

EC-3612 B2	CCW	●	230/115	50/60	-40..+50	15	1300
EC-3612 B2 -01	CW	●	230/115	50/60	-40..+50	15	1300

Plastic Housing

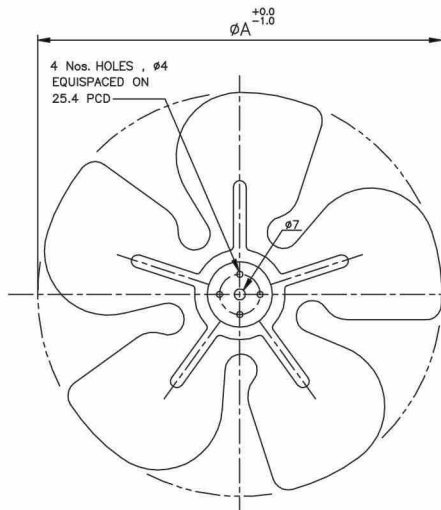
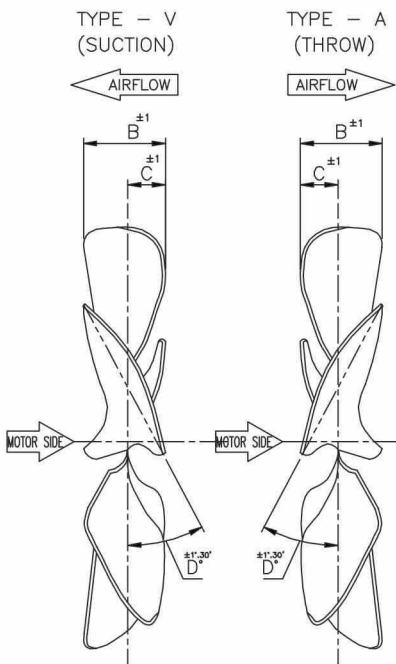
EC-3812 B2 PH	CCW	●	230/115	50/60	-40..+50	15	1300
EC-3612 B2 PH-01	CW	●	230/115	50/60	-40..+50	15	1300

Note : Fan Blade can be Used Ø 200, 230, 254 mm

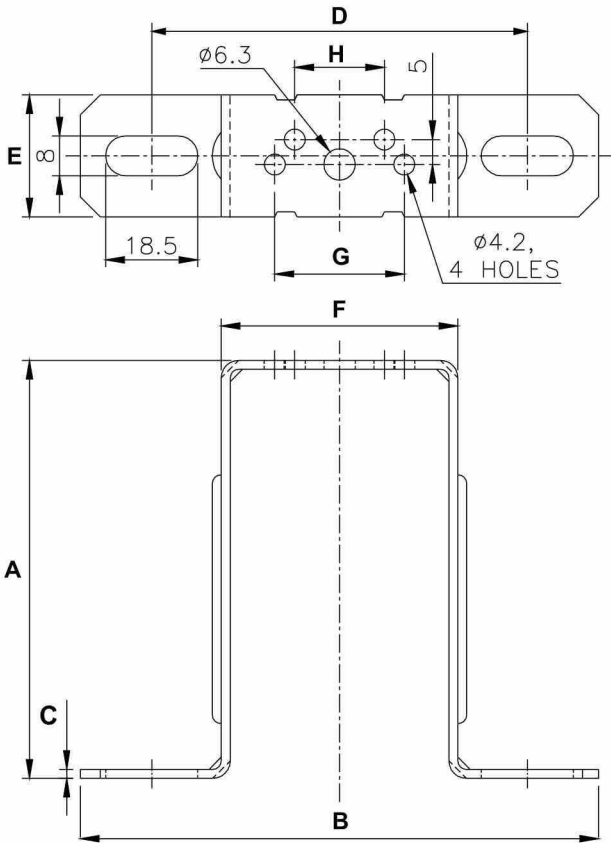
Note : 2 Speed Motor Also Available

*** ALL DIMENSIONS ARE IN MM**

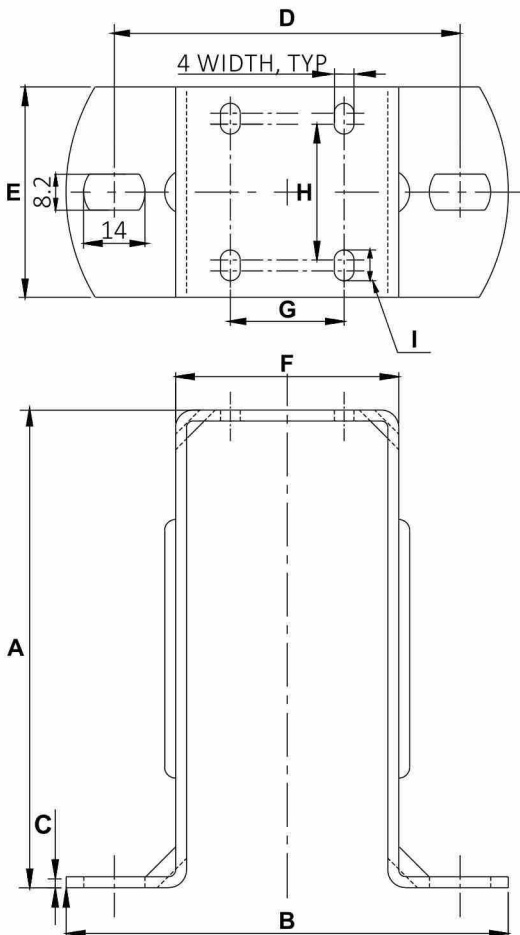
Part Code	Part Code	IMPELLER	Ø	Ø	Ø
V - Suction	A - Throw	ANGLE D° ± 1.30	+0.0 -1.0 A	± 1 B	± 1 C
-----	AI 029	26°	125	27.0	11.0
AI 032	AI 031	28°	150	33.0	18.0
AI 034	AI 033	34°	154	39.0	18.0
AI 038	AI 037	34°	172	43.0	19.0
AI 040	AI 039	28°	200	37.0	19.0
AI 042	AI 041	34°	200	45.0	20.0
AI 043	Not Available	22°	230	34.0	14.0
AI 045	AI 044	28°	230	42.0	20.0
AI 047	AI 046	34°	230	48.0	24.0
AI 048	Not Available	22°	254	36.0	14.0
AI 050	AI 049	28°	254	43.0	22.0
AI 052	AI 051	34°	254	52.0	25.0
AI 054	AI 053	28°	300	52.0	28.0



FAN	Model / Watt a°	6120 4 W	6125 5 W	8313 5 W	8320 7 W	8320 10 W	8325 16 W	8330 18 W	8340 25 W	8345 34 W
Ø 125	26°									
Ø 150	28°		28°							
Ø 154				34°						
Ø 172				34°						
Ø 200				28°	34°	34°				
Ø 230					28°	28°	34°	34°		
Ø 254						22°	28°	28°	34°	34°
Ø 300									28°	28°



Metal Stand Part No.	Suitable To Model	Weight gram	Dimension							
			A	B	C	D	E	F	G	H
MS020	8313-05 A2	76.0	72	109.5	1.8	81	24.5	51	26	18
MS021	8320-07 A2	82.0	84	104	1.8	75.4	24.5	47.5	26	18
	8320-10 A2									



Metal Stand Part No.	Suitable To Model	Weight gram	Dimension								
			A	B	C	D	E	F	G	H	I
MS022	8325-16 A2	226	109	101	2.5	79	39	56	26	14.5	12
	8330-18 A2										
MS017	8340-25 A2	260	109	101	2.5	79	48	51	26	31	7
	8345-34 A2										

Finger Guard Mounting Size (mm)	Part Code	Surface Treatment	Suitable for Fan Size (mm)	Fan with Finger Guard Photograph
	MG014	Chrome Plating	80 x 80 x 25	
	PG008	Plastic Finger Guard	120 x 120 x 38	
	MG015	Chrome Plating	120 x 120 x 38	
	MG017	Chrome Plating	Ø172 x 150 x 51	
	MG019	Chrome Plating	Ø172 x 150 x 51	
	MG020	Chrome Plating	172 x 172 x 55	
	MG021	CED Coating	Ø 220 x 60	
	MG022	CED Coating	220 x 220 x 60	
	MG023	Chrome Plating	225 x 225 x 80	
	MG024	Chrome Plating	280 x 280 x 80	

FACTORY PHOTOGRAPH

Injection Molding



Die Casting



Rotor Turning



CNC Machining



Painting



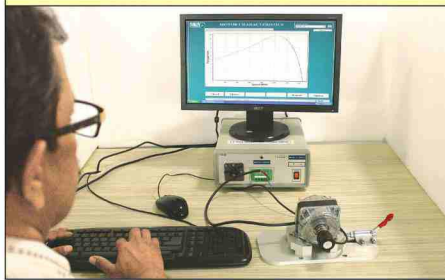
Winding



Vacuum Impregnation



Torque Testing



Balancing



Laser Welding



Assembly



Air Flow Chamber



Temperature & Humidity Testing



Stamping Motor Lamination



Warehouse





Since - 1984

World Wide Presence



Presence in India



World Wide Presence						
Australia	Denmark	Egypt	Indonesia	Iran	Italy	Kuwait
Malaysia	Morocco	Qatar	Russia	Saudi Arabia	Spain	Sri Lanka
Singapore	South Africa	Thailand	Turkey	U.A.E.	U. K.	

Presence in India					
Ahmedabad	Bhubaneswar	Gandhidham	Kanpur	Patna	Rishikesh
Ahmednagar	Chandigarh	Faridabad	Kolkata	Panipat	Secunderabad
Amritsar	Chennai	Goa	Kolhapur	Palghar	Silvassa
Amreli	Coimbatore	Gurugram	Ludhiana	Ponducherry	Surat
Ankleshwar	Cochin	Guwahati	Lucknow	Pune	Trivandrum
Aurangabad	Daman	Hyderabad	Mumbai	Raipur	Udaipur
Baddi	Dehradun	Indore	Navi Mumbai	Rourkela	Viluppuram
Baroda	Delhi	Jaipur	Nashik	Rajkot	Visakhapatnam
Bangalore	Ernakulam	Jamshedpur	Noida	Ranchi	